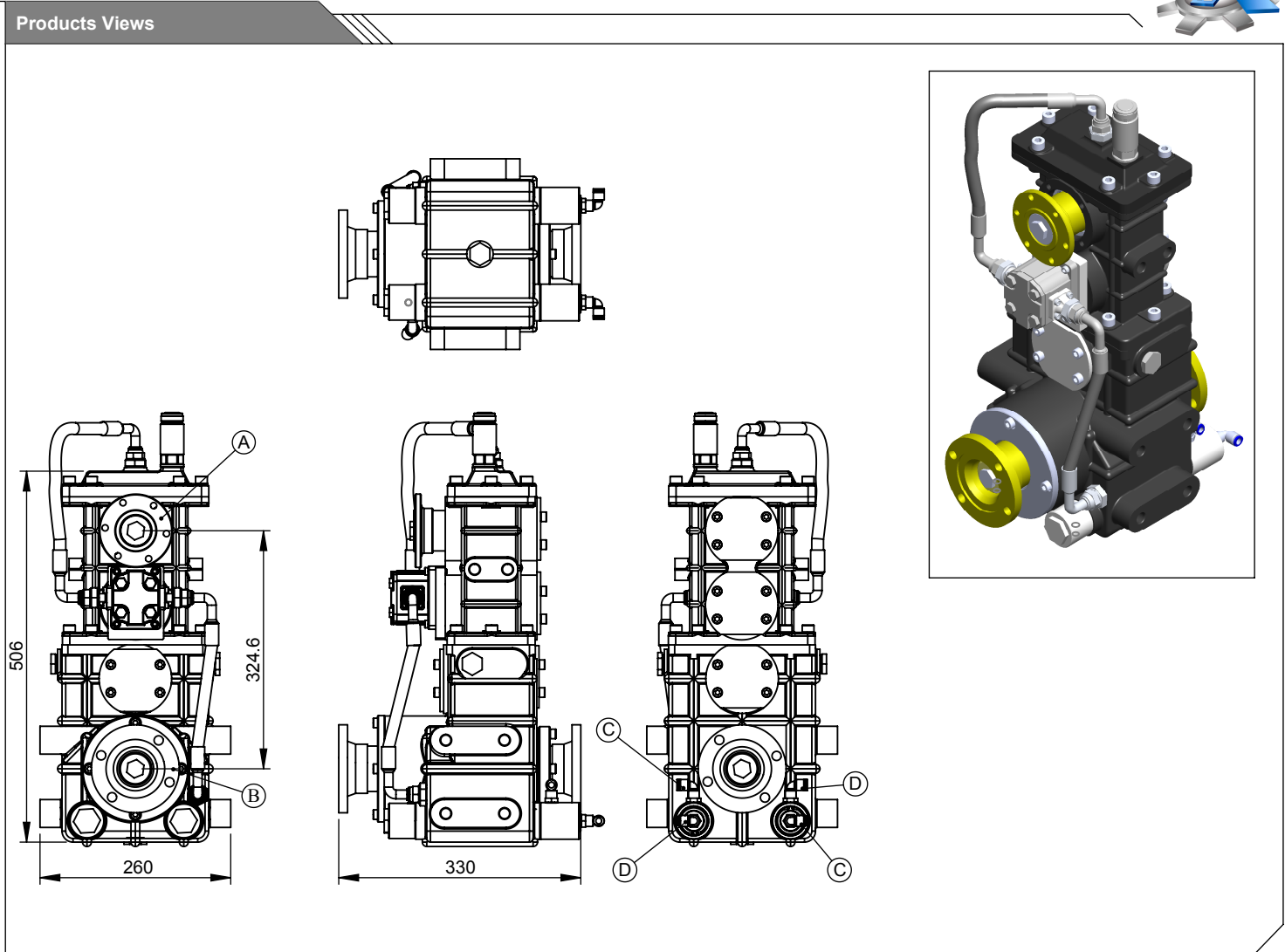


Vehicle Type	For Fire Fighting and Road Service Vehicles
Gearbox Type	Vertical Light Duty Split Shaft Power Take-Off with Pump&Roll Feature

Product Code	UARA.404
---------------------	-----------------



Component Details

<p>A : ISO 7646 / 7647 / 8667 , ISO etc. Standard Types B : ISO 7646 / 7647 / 8667 , SAE etc. Standard Types C : Air Inlet R1/4" (Engage) D : Air Inlet R1/4" (Disengage)</p>	
--	--

Technical Details

Outputs	Max. Power	Maximum Torque		Input/Output	Mounting Side	Control Type
	<i>kW</i>	<i>Nm</i>	<i>kgm</i>			
1		4300	438	1/1	Split Shaft	Pneumatic or Mechanic
2	85	785	80	1/1.5	Weight	Sense of Rotation
3					75 kg	Opposite of Input